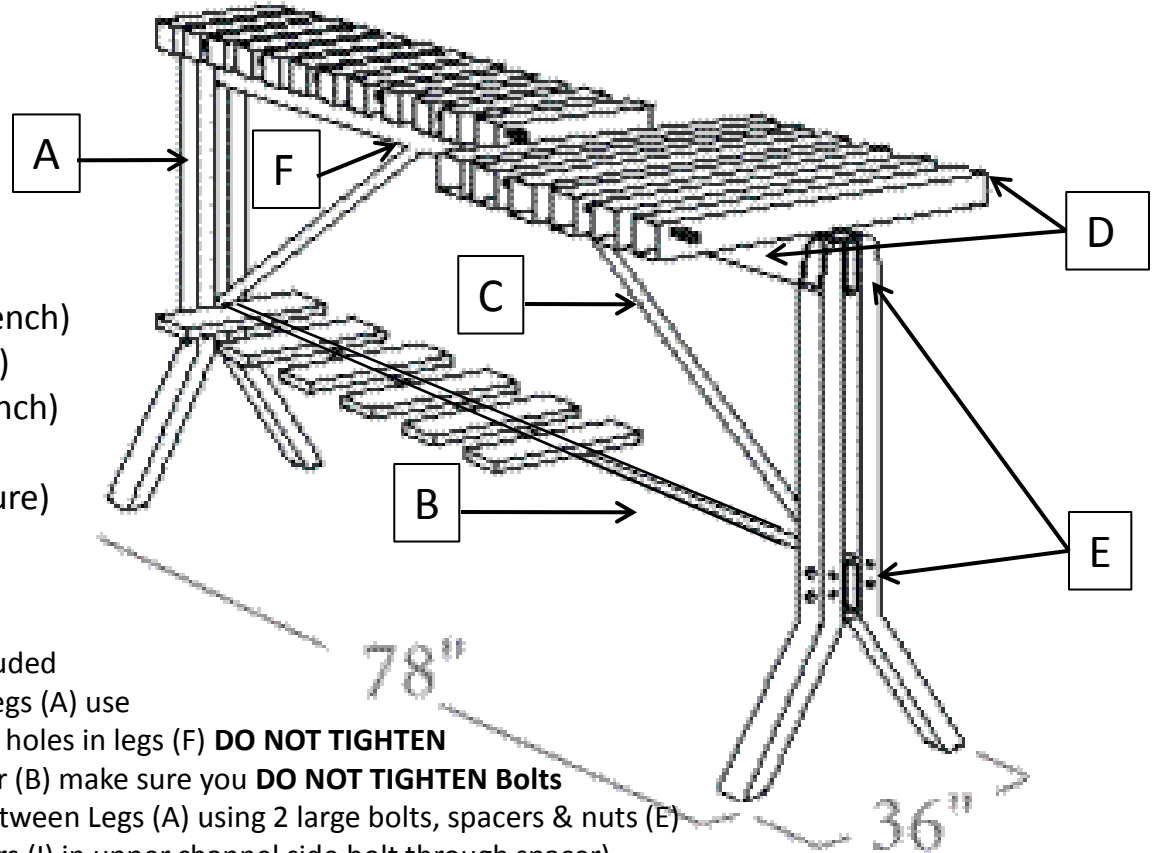




Free Standing Rack Assembly

Parts Included

- A - 4 Legs (Galvanized Steel)
- B - 1 Lower Bar w/Ski Tail Holders
- C - 2 Cross Bars
- D - 1 Upper Bar w/Pins
- E - 8 Large Bolts ,Nuts & Spacers (11/16 Wrench)
- F - 4 Small Bolts & Nuts (1/2 & 9/16 Wrench)
- G - 2 Sign Brackets (not shown) (10mm Wrench)
- H - 1 Sign 12"x24" (not shown)
- I - 4 small spacers – for Upper Bolt (See Figure)



Assembly Instructions

Step 1 – Lay out all parts check that all parts are included

Step 2 – Place one end of lower bar (B) between 2 Legs (A) use 2 large bolts, spacers & nuts (E) insert through lower holes in legs (F) **DO NOT TIGHTEN**

Step 3 – Repeat Step 2 for opposite side of Lower bar (B) make sure you **DO NOT TIGHTEN Bolts**

Step 4 – Place one end of Upper Bar with Pins (D) between Legs (A) using 2 large bolts, spacers & nuts (E) insert through upper holes in legs (place small spacers (I) in upper channel side bolt through spacer)

Repeat for other side of rack. **DO NOT TIGHTEN! NOTE: Make sure upper bar**

ski slots are aligned with lower bar ski tail holders. There are NO Ski Tail Holders for Snowboard Side of Rack.

Step 5 – Attach cross bars (C) using 2 small bolts/nuts to lower bar then attach to upper bar. Repeat for the 2nd cross bar. You can NOW TIGHTEN ALL BOLTS.

Step 6 – Attach sign brackets (G) to upper bar (D) space the brackets approximately 24" apart use sign to accurately measure. Sign should be placed in the middle of the rack. If you have advertising or internal marketing sign adjust brackets accordingly.



Free Standing Rack Assembly

Parts Included


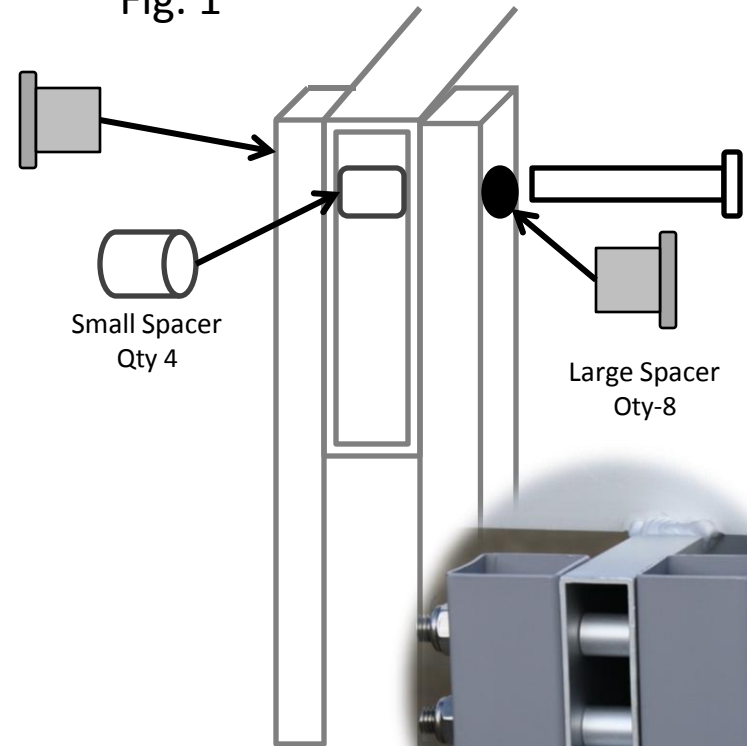
- A - 4 Legs (Galvanized Steel)
- B – 1 Lower Bar w/Ski Tail Holders
- C – 2 Cross Bars
- D – 1 Upper Bar w/Pins
- E - 8 Large Bolts ,Nuts & Spacers
- F – 4 Small Bolts & Nuts
- G – 2 Sign Brackets (not shown)
- H – 1 Sign 12"x24" (shown below)
- I - 4 small spacers – for Upper Bolt (See Figure) 

Fig. 1



H





Free Standing Rack Assembly Photo's Of Assembly

